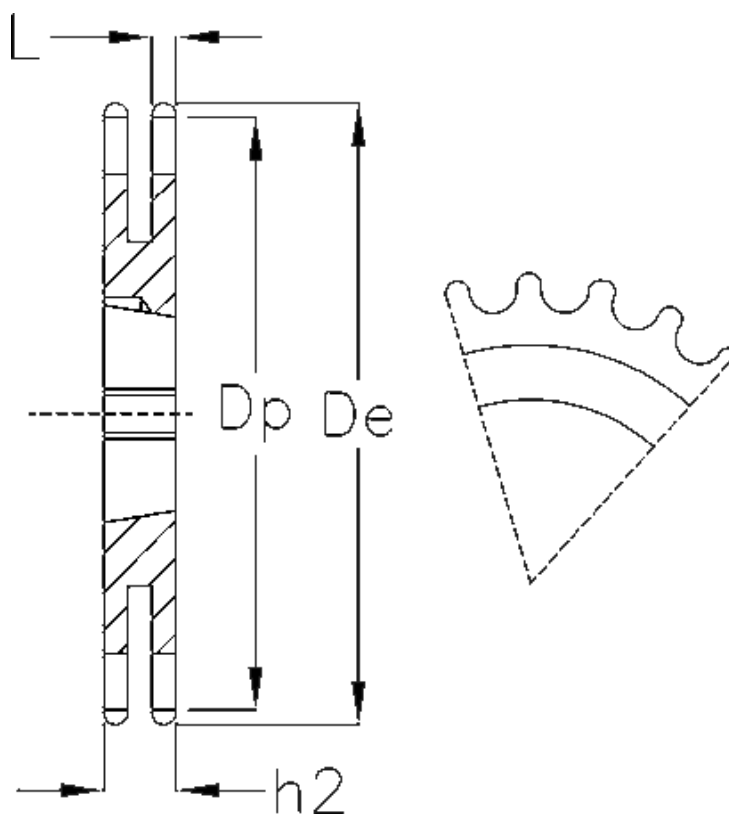


Article number: 616032006019

Description: Taperbored sprocket 10 B-2 Z=19 duplex  
for bushing 1610

## Measures



Buchse = 1610  
C = 1.6  
Chain = 10 B-2  
Chain size = 5/8" x 3/8"  
De = 103.3  
Dp = 96.45  
H = 25.5  
h2 = 25.5

Material = Stål  
Number of teeth = 19